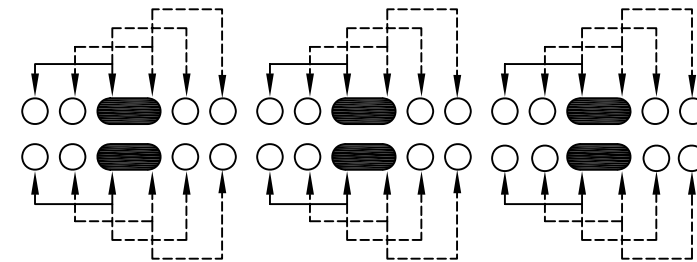
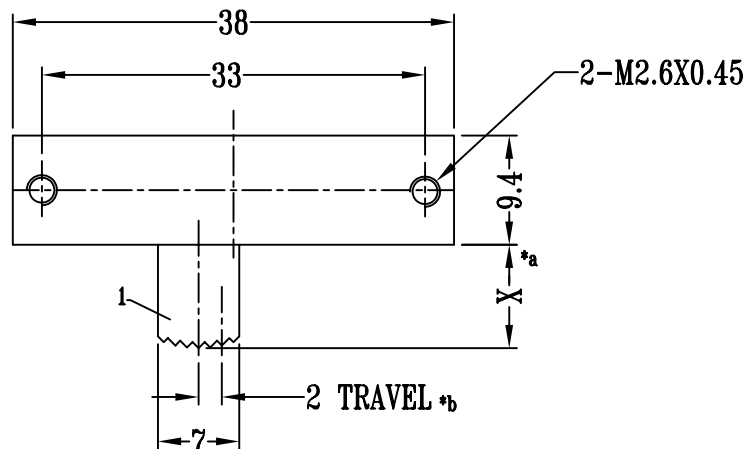
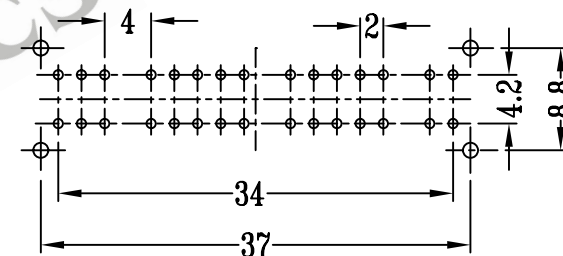
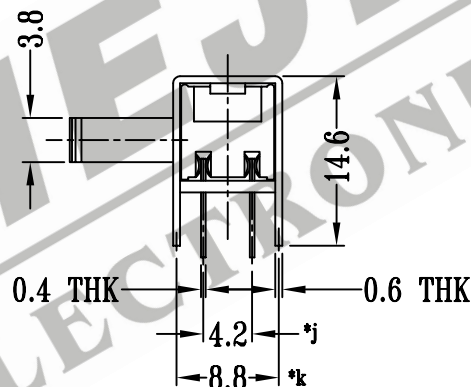
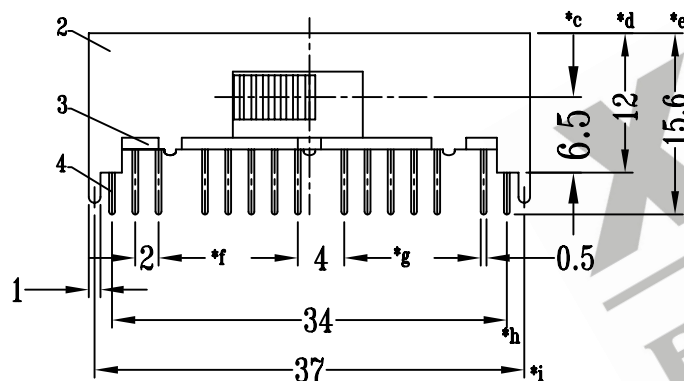


CAD FILE:



SCHMATIC (SHORTING)



P.C.B LAYOUT

注:带"\*"表示关键尺寸(11个)

NO.	PARTS	MATERIALS	Q'TY	FINISH	TOLERANCE UNLESS SPECIFIED	SHENZHEN XIEJIA ELECTRONICS CO.,LTD.				
8						TITLE : HORIZONTAL SLIDE SWITCH MODEL: SK-64D01				
7	STEEL BALL	STEEL	1	NATURAL						UNIT : mm
6	SPRING	STEEL WIRE	1	TEMPER	WITHIN: 1.5±0.1mm OVER : 1.5±0.2mm	SCALE: 3:2	DWN.	ZHOUYU	2005-6-26	
5	CONTACT CLIP	PBS STRIP	6	Ag PLATED		ISSUE	DATE	DESCRIPTIONS OF REVISION		
4	TERMINAL	BRASS STRIP	30	Ag PLATED OVER Ni PLATED				CHK'D	FANGYING	2005-6-26
3	BASE	PHENOLIC RESIN	1	NATURAL				APPD.	KANGXINAN	2005-6-26
2	FRAME	STEEL STRIP	1	Ni PLATED				ALL MATERIALS MUST BE COMPLIANT TO ROHS		
1	KNOB	POM	1	BLACK						